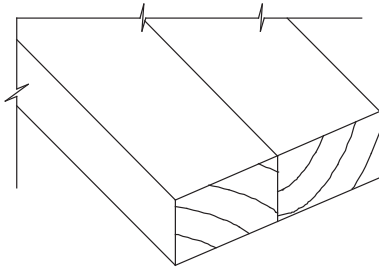
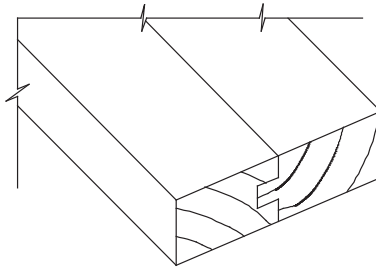


# JOINERY DETAILS

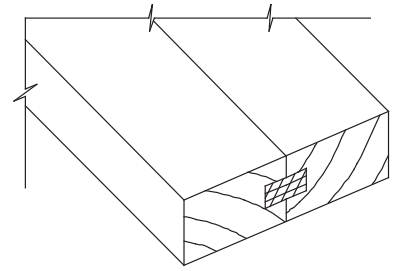
(Page 1 of 2)



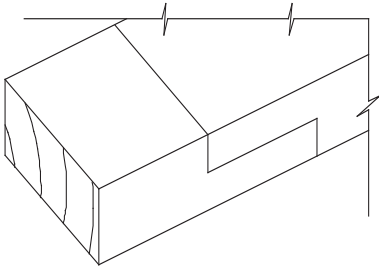
BUTT



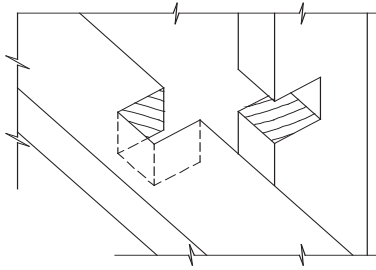
TONGUE & GROOVE



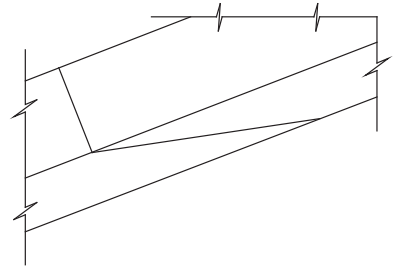
SPLINE



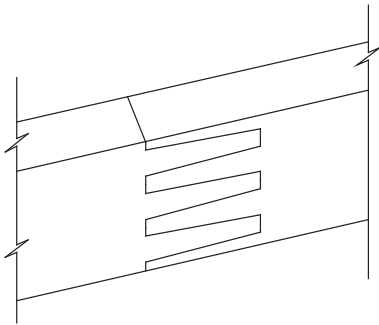
HALF LAP



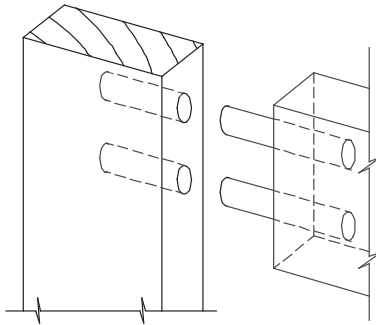
HALF LAP



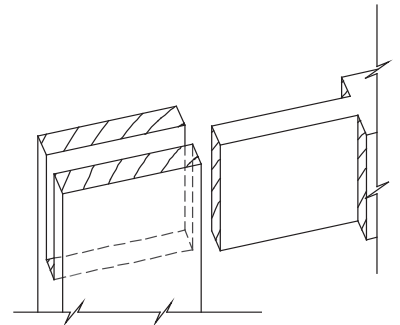
SCARF



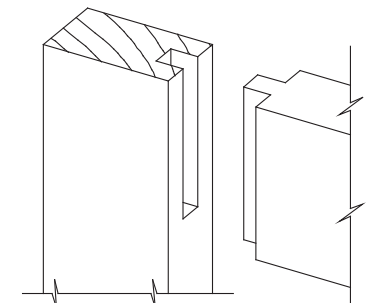
FINGER



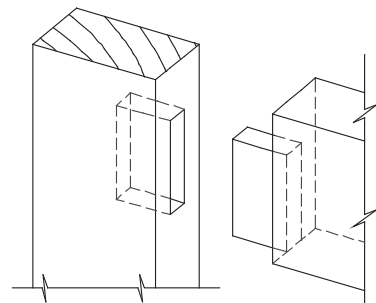
DOWELED



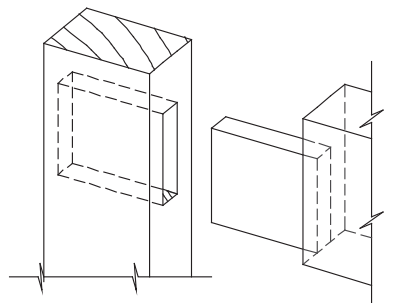
SLOTTED MORTISE & TENON



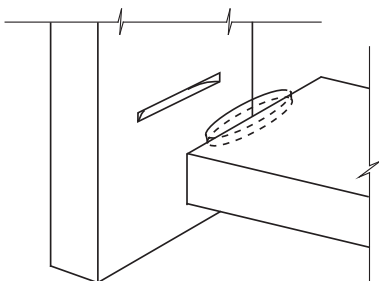
STUB MORTISE & TENON



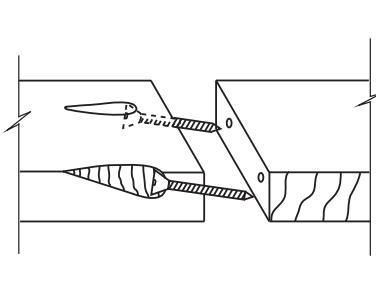
BLIND MORTISE & TENON



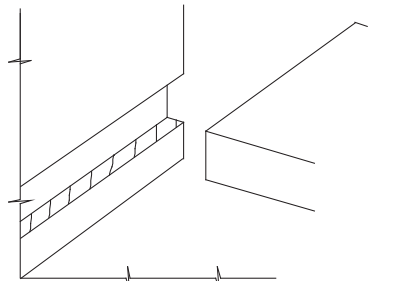
THROUGH MORTISE & TENON



BISCUIT



POCKET SCREW

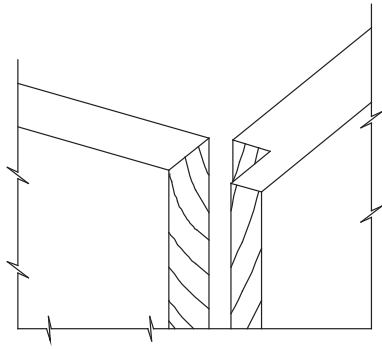


PLOWED IN

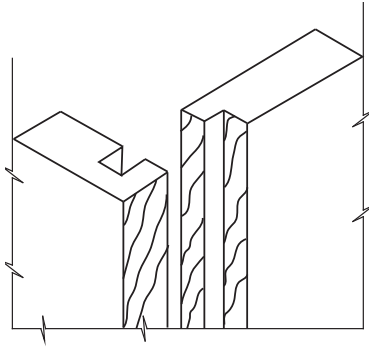
A

# JOINERY DETAILS

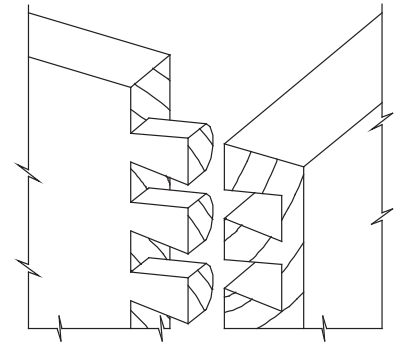
(Page 2 of 2)



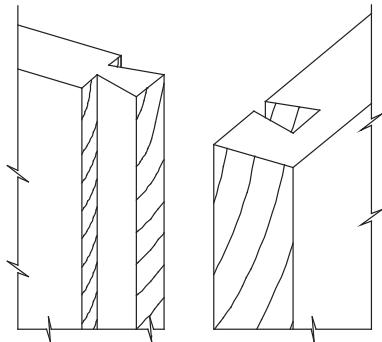
RABBET



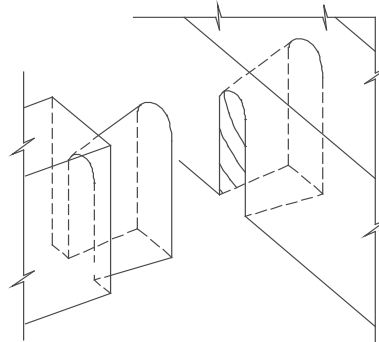
LOCK SHOULDER



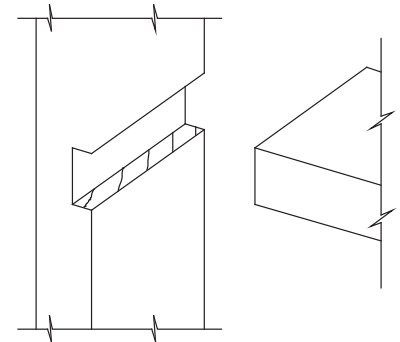
DOVETAIL



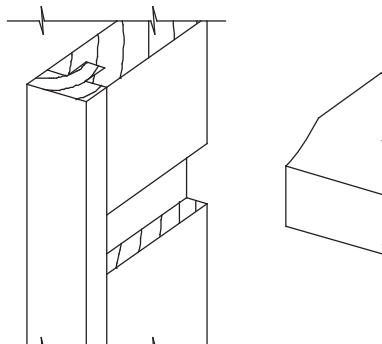
DOVETAIL (French) DADO



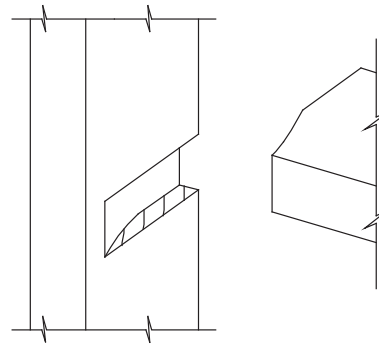
BLIND DOVETAIL



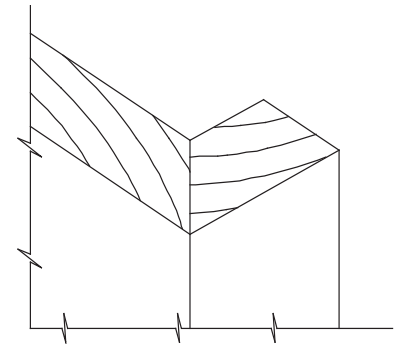
DADO



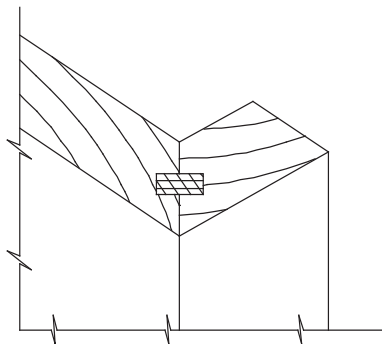
DADO, BLIND OR STOPPED



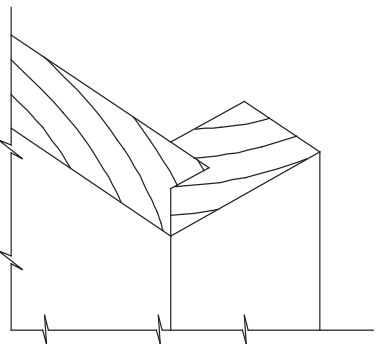
DADO, BLIND OR STOPPED



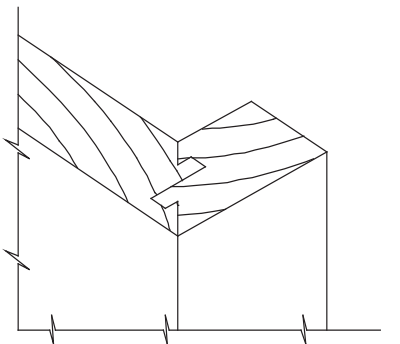
MITER



SPLINED MITER



SHOULDER MITER



LOCK MITER

A